



License Plate Frames

Give your license plates the protection they need with a look that's just right for your vehicle. From simple everyday styles to eye-catching fashion frames and unbreakable frame-and-shield combos, Custom Accessories has design and mounting hardware options to suit every taste and personality.



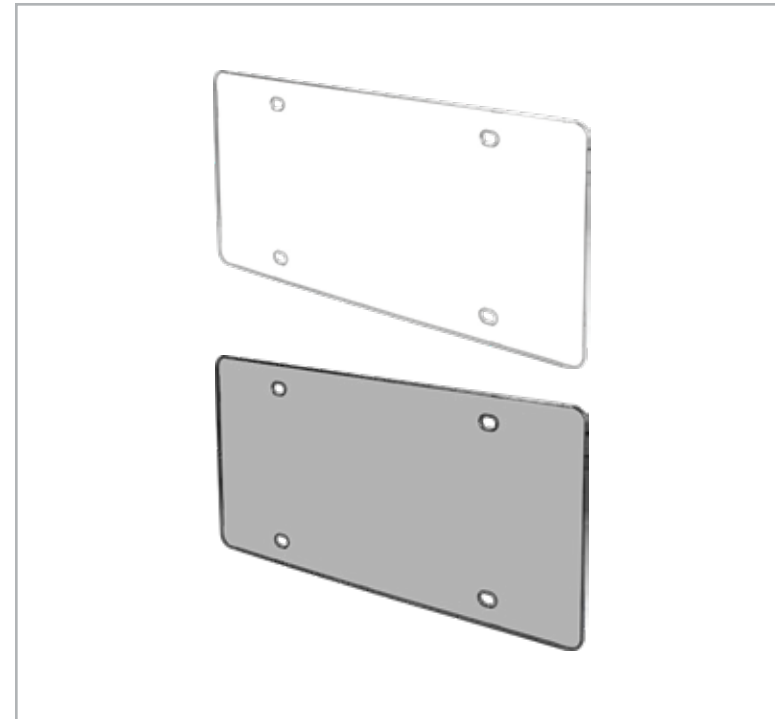


LICENSE PLATE SHIELD



License Plate Frames

Choosing the right license plate frame is a breeze with our new easy-view colored packaging. This simple new system creates a streamlined shopping experience by clearly identifying each type of frame by color. Basic frames are in blue packaging, fashion frames are in gold, and license plate shields and combos are in red.



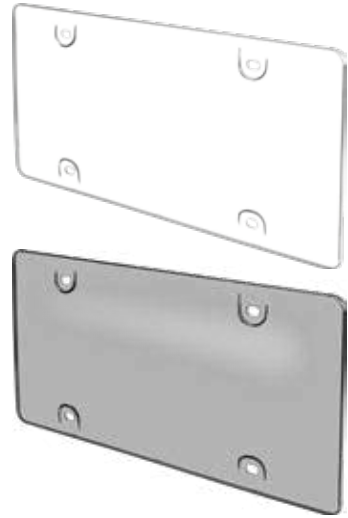
Flat Shield
 92528 Clear
 92529 Smoke

- Shield creates a finished, clearly visible look
- Reliable coverage for year-round use
- Made to fit standard-size license plates
- Safe for use in brushless car washes
- The mounting hardware is sold separately
- 6 per inner



Unbreakable Domed Shield
 90151 Clear/Chrome
 90152 Smoke

- Unbreakable material withstands wear & tear
- UV-resistance prevents fading
- Dome creates a finished, clearly visible look
- Reliable coverage for year-round use
- Made to fit standard-size license plates
- Safe for use in brushless car washes
- Mounting hardware is sold separately
- 4 per inner



Unbreakable Domed Shield
92615 Clear
92616 Smoke

- Unbreakable material withstands wear & tear
- UV-resistance prevents fading
- Dome creates a finished, clearly visible look
- Reliable coverage for year-round use
- Made to fit standard-size license plates
- Safe for use in brushless car washes
- Mounting hardware is sold separately
- 6 per inner



Bling Shield
92907 Chrome
90156 Smoke

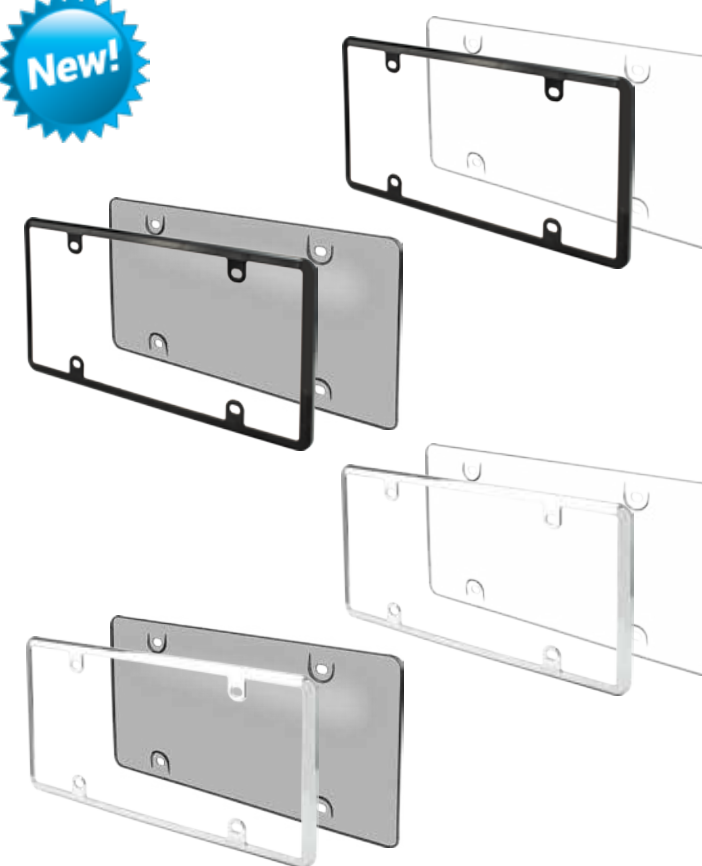
- Unbreakable shield withstands wear & tear
- Sparkling rhinestones add eye-catching flair
- Safe for use in brushless car washes
- The mounting hardware is sold separately
- 6 per inner



Heavy-Duty Domed Shield
92520 Clear
92521 Smoke

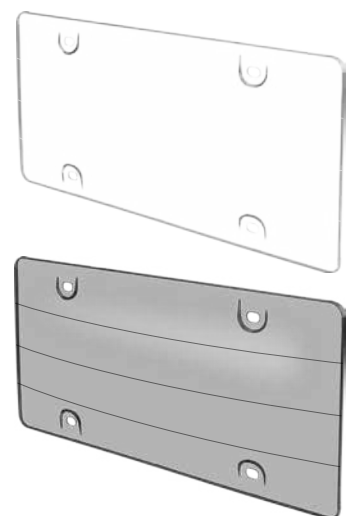
- Durable plastic cover withstands wear and tear
- Dome creates a finished, clearly visible look
- Reliable coverage for year-round use
- Made to fit standard-size license plates
- Safe for use in brushless car washes
- Mounting hardware is sold separately
- 12 per inner

License Plate Shield
COMBO WITH FRAME



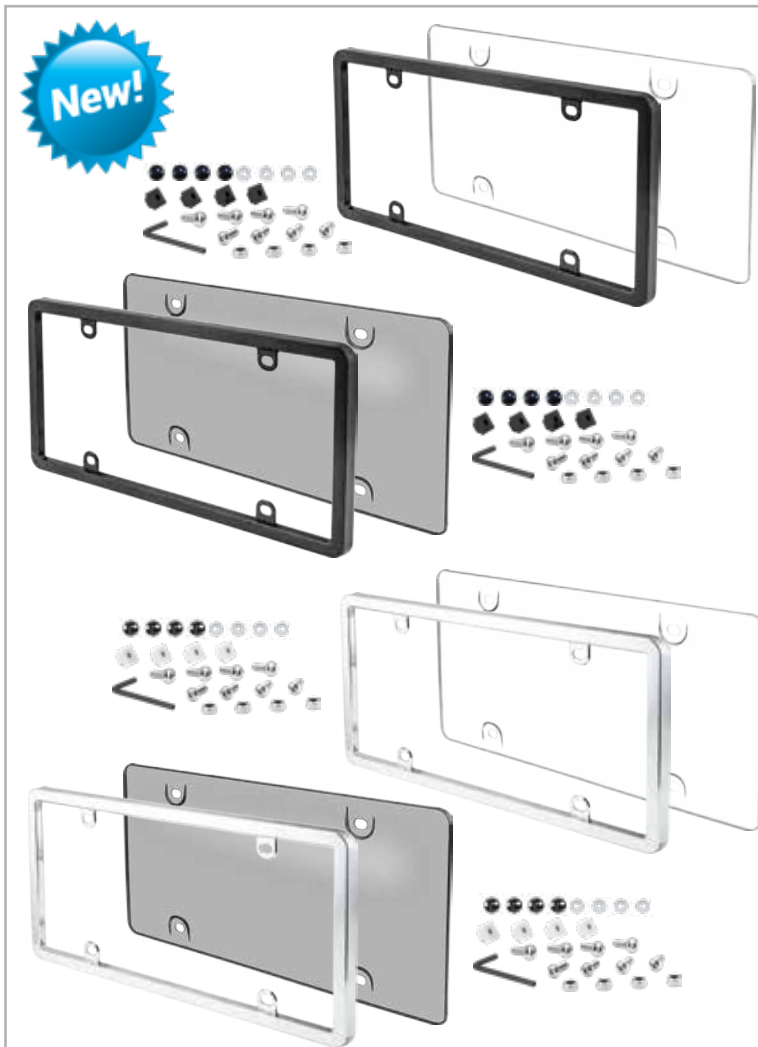
Heavy-Duty Plastic Combo
90147 Black/Clear
90148 Black/Smoke
90149 Chrome/Clear
90150 Chrome/Smoke

- Unbreakable shield withstands wear & tear
- Durable plastic frame helps plates keep shape
- 4 per inner



Domed Shield
92515 Clear
92516 Smoke

- Durable plastic cover withstands wear and tear
- Dome creates a finished, clearly visible look
- Reliable coverage for year-round use
- Made to fit standard-size license plates
- Safe for use in brushless car washes
- Mounting hardware is sold separately
- 6 per inner



New!

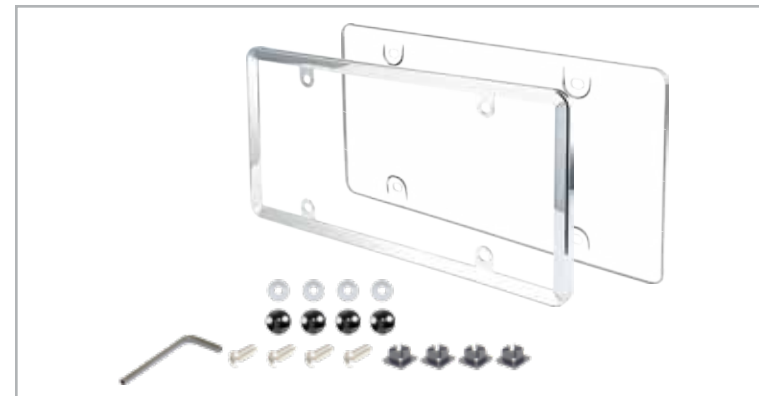
Deluxe Plastic Combo
90143 Black/Clear
90144 Black/Smoke
90145 Chrome/Clear
90146 Chrome/Smoke

- Unbreakable shield withstands wear & tear
- Durable plastic frame helps plates keep shape
- Anti-theft mounting hardware included
- 4 per inner



Shield with ABS Frame Combo
90060 Black/Clear
90061 Chrome/Clear

- Sturdy shield withstands wear & tear
- Durable plastic frame helps plates keep shape
- 6 per inner



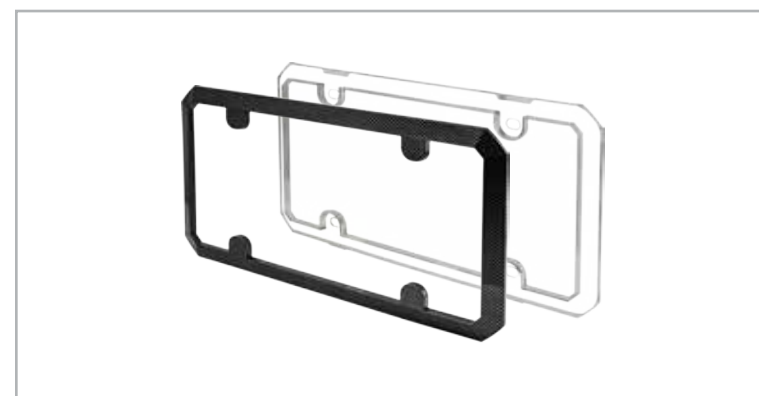
Shield with ABS Frame Combo
90085 Chrome/Clear

- Unbreakable shield withstands wear & tear
- Durable plastic frame helps plates keep shape
- Anti-theft mounting hardware included
- Mounting caps create a finished look
- 4 per inner



Snap Guard Combo
92942 Clear/Black

- Unbreakable shield withstands wear & tear
- Cover snaps easily on/off
- Sturdy plastic frame helps plates keep their shape
- Mounting hardware is sold separately
- 6 per inner



Shield with OE Stealth Frame Combo
92855 Black/Clear

- Unbreakable shield withstands wear & tear
- Snap-on frame hides unsightly hardware
- Carbon fiber finish enhances the sporty look
- Mounting hardware is sold separately
- 2 per inner

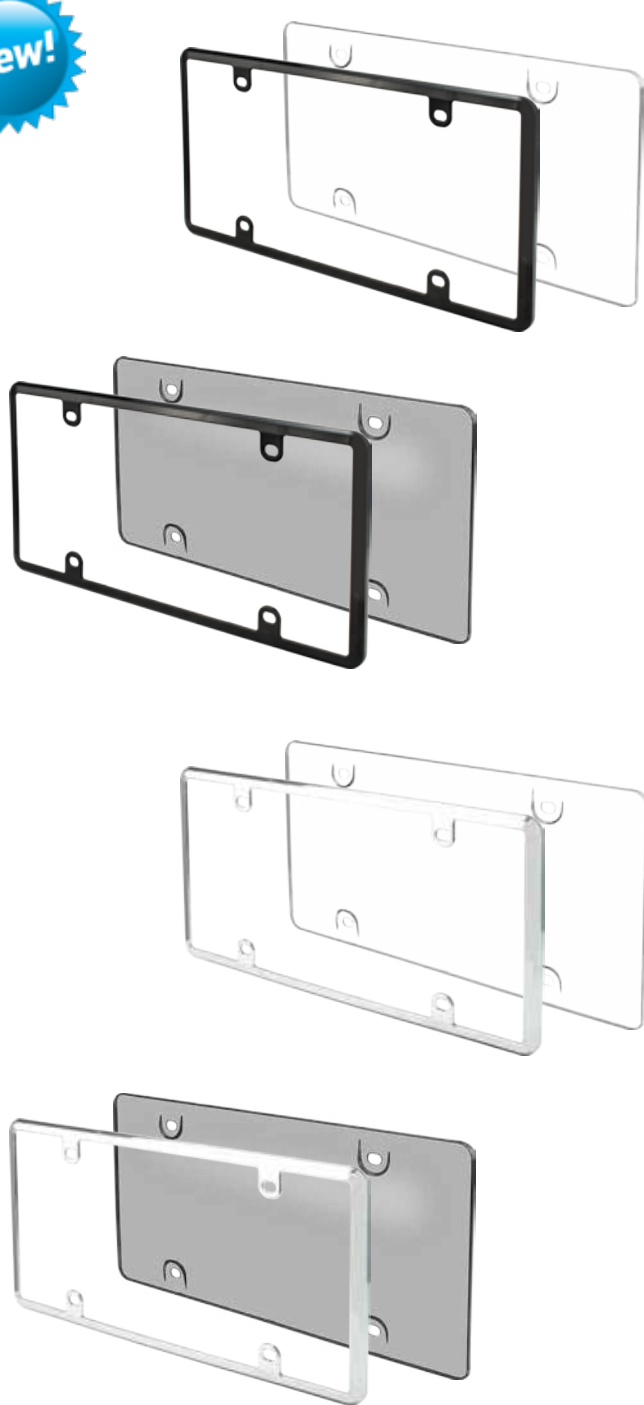


Bumper Guard Unbreakable Combo
92934 Black/Clear

- Absorbs shock from low-impact contact
- Unbreakable cover withstands wear and tear
- Resists rust and corrosion for year-round use
- Mounting hardware is sold separately
- 2 per inner

License Plate Shield COMBO WITH METAL FRAME

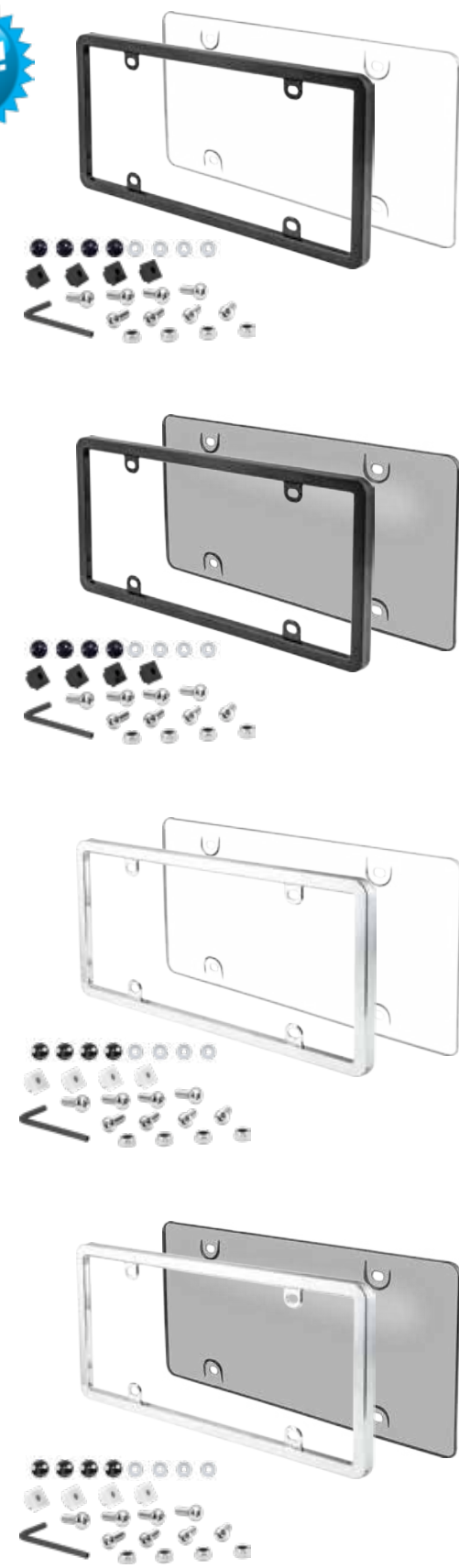
New!



Heavy-Duty Metal Combo
90185 Black/Clear
90186 Black/Smoke
90187 Chrome/Clear
90188 Chrome/Smoke

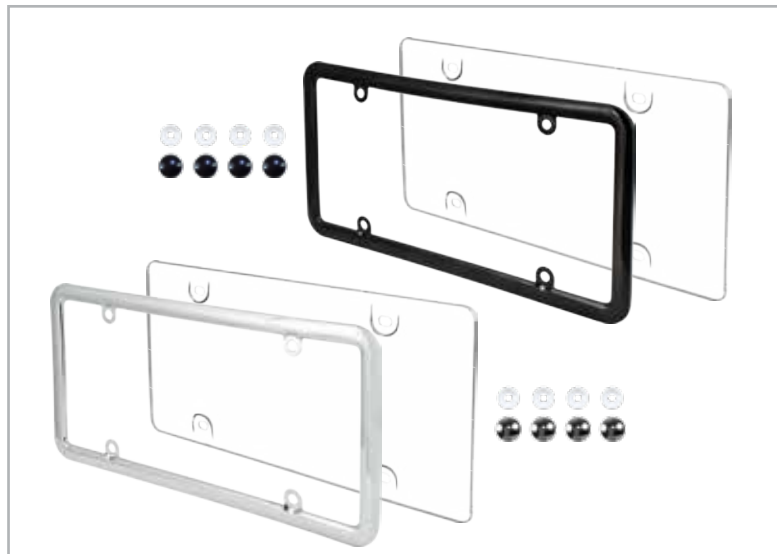
- Unbreakable shield withstands wear & tear
- Durable metal frame helps plates keep shape
- Mounting hardware is sold separately
- 4 per inner

New!



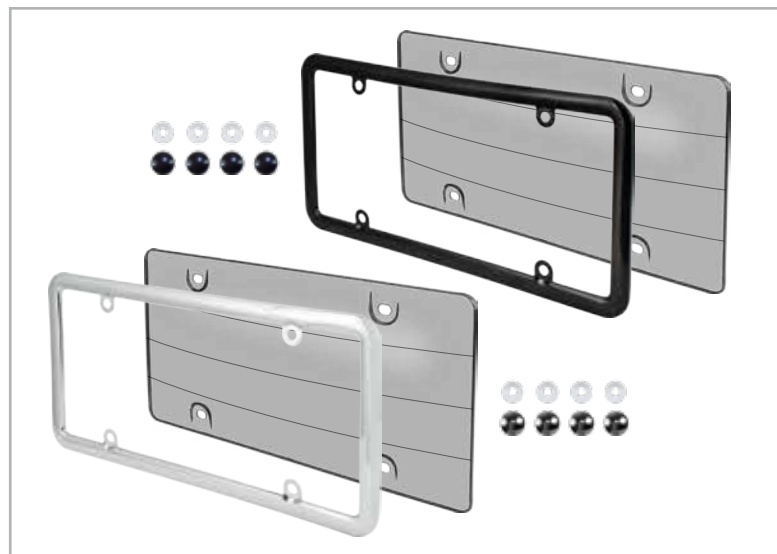
Deluxe Metal Combo
90181 Black/Clear
90182 Black/Smoke
90183 Chrome/Clear
90184 Chrome/Smoke

- Unbreakable shield withstands wear & tear
- Durable metal frame helps plates keep shape
- Anti-theft mounting hardware is included
- Mounting caps create a finished look
- 4 per inner



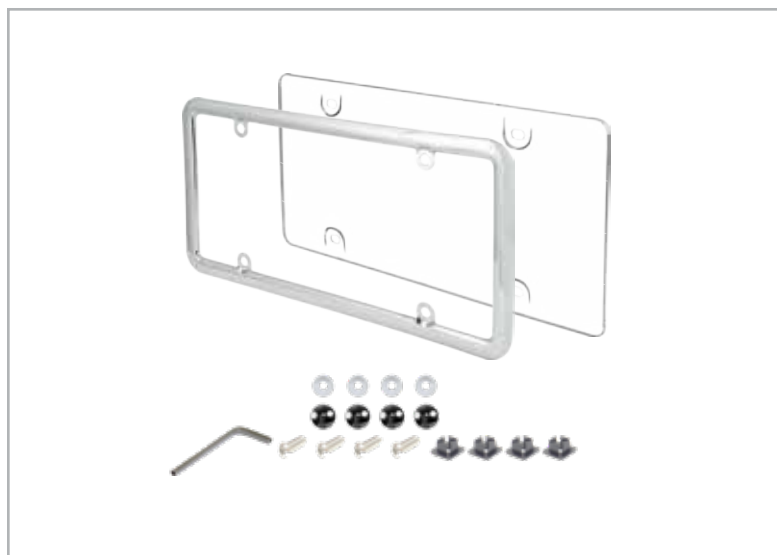
Shield with Metal Frame Combo
90070 Black/Clear
90071 Chrome/Clear

- Unbreakable shield withstands wear & tear
- Durable metal frame helps plates keep shape
- Mounting caps create a finished look
- 6 per inner



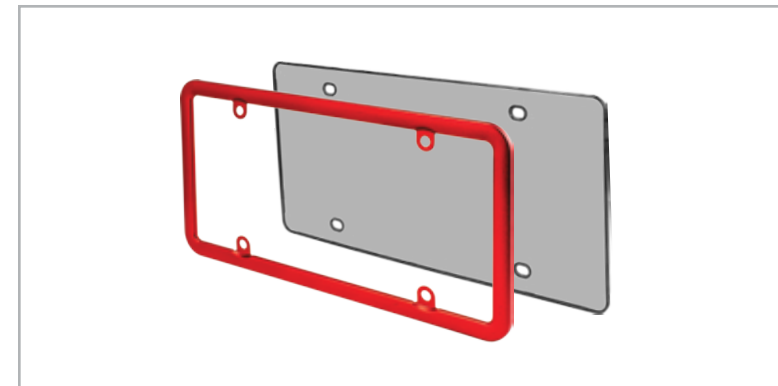
Shield with Metal Frame Combo
90089 Black/Smoke
90090 Chrome/Smoke

- Unbreakable shield withstands wear & tear
- Durable metal frame helps plates keep shape
- Mounting caps create a finished look
- 6 per inner



Shield with Metal Frame Combo
90075 Chrome/Clear

- Unbreakable shield withstands wear & tear
- Durable metal frame helps plates keep shape
- Mounting caps create a finished look
- Anti-theft mounting hardware included
- 4 per inner



Shield with Aluminum Frame Combo
92930 Red/Smoke

- Unbreakable shield withstands wear & tear
- Sleek red finish
- Durable aluminum frame helps plates keep shape
- 2 per inner

License Plate Frames **PLASTIC**



2-Pack ABS Frame
92981 Black

- Durable plastic withstands wear & tear
- Sleek matte finish enhances the look
- Mounting hardware is sold separately
- 6 per inner



Stealth Frame
92820 Black

- Durable plastic withstands wear & tear
- Snap-on frame hides unsightly hardware
- Carbon fiber print enhances the look
- Mounting hardware is sold separately
- 4 per inner



Frame with Caps and Fasteners
92502 Black

- Durable plastic withstands wear & tear
- Sleek matte finish enhances the look
- Mounting hardware included
- Mounting caps create a finished look
- 6 per inner

License Plate Frames

METAL



2-Pack Metal Frames
90054 Black

- Durable metal withstands wear & tear
- Sleek black finish enhances the look
- Mounting hardware is sold separately
- 2 per inner



Metal Frame
92540 Black

- Durable metal withstands wear & tear
- Sleek matte finish enhances the look
- Mounting hardware is sold separately
- 6 per inner



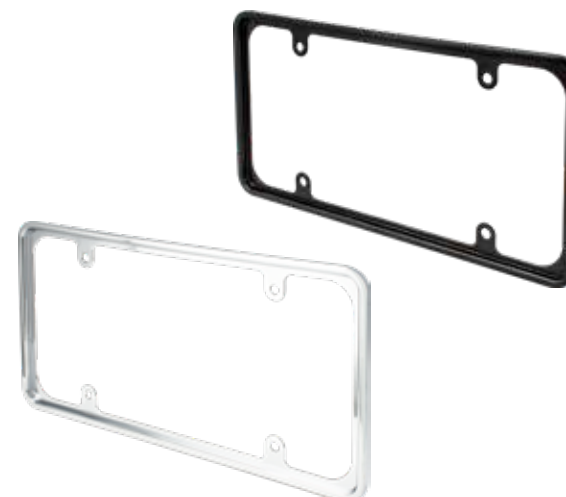
Elite Metal Frame with Caps
92561 Chrome

- Durable metal withstands wear & tear
- Sleek matte finish enhances the look
- Mounting hardware is sold separately
- Mounting caps create a finished look
- 6 per inner



Basic Metal Frame
90050 Black
90051 Chrome

- Durable metal withstands wear & tear
- Mounting hardware is sold separately
- 6 per inner



Perimeter Frame
92810 Black
92811 Chrome

- Displays the entire plate/won't hide license sticker
- Durable metal withstands wear & tear
- Mounting hardware is sold separately
- 6 per inner



Dealer Style Frame
 90140 Black
 90154 Chrome

- Durable metal withstands wear & tear
- Mounting hardware is sold separately
- 4 per inner

License Plate Frames **DESIGNER SERIES**



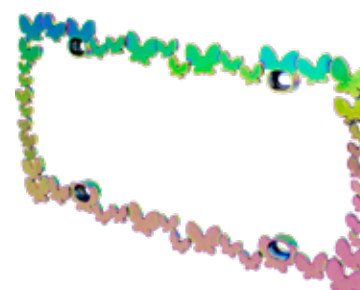
Chameleon Chrome
 92824 Multicolor

- Durable metal withstands wear & tear
- Colorful finish enhances the look
- Mounting hardware is sold separately
- 4 per inner



Metal Frame with Caps
 90020 Black
 90021 Chrome

- Durable metal withstands wear & tear
- Mounting caps create a finished look
- 6 per inner



3-D Chameleon Chrome Butterfly
 93969 Multicolor

- Raised 3-D design
- Durable metal withstands wear & tear
- Colorful finish enhances the look
- Mounting hardware is sold separately
- 4 per inner



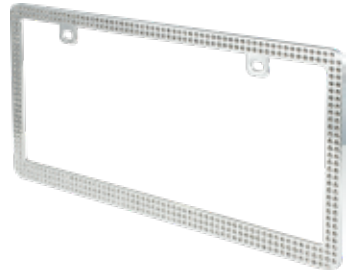
Crushed Bling with Caps
 90141 Silver

- Durable metal withstands wear & tear
- Sparkling bling detailing adds glam style
- Mounting hardware is sold separately
- Mounting caps create a finished look
- 4 per inner



Black Bling
92849 Black

- Durable metal withstands wear & tear
- Inset rhinestones add glam style
- Mounting hardware is sold separately
- 3 per inner



Chrome Bling
92860 Chrome

- Durable metal withstands wear & tear
- Inset rhinestones add glam style
- Mounting hardware is sold separately
- 3 per inner



Pebble Bling
90120 Silver

- Durable metal withstands wear & tear
- Sparkling pebbled detailing adds glam style
- Mounting hardware is sold separately
- 3 per inner



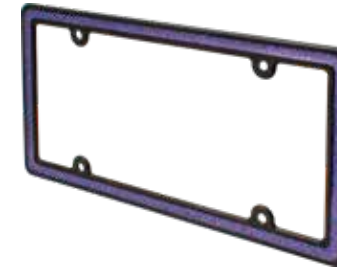
Daisy
90142 Silver

- Durable metal withstands wear & tear
- Floral design adds cheerful style
- Mounting hardware is sold separately
- 4 per inner



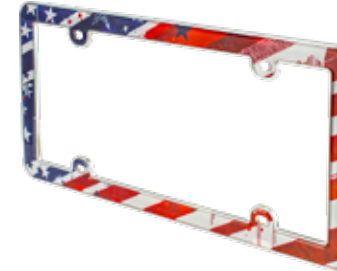
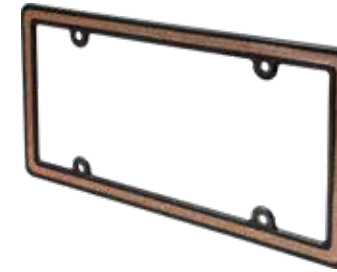
Queen Bling
90138 Silver

- Durable metal withstands wear & tear
- Queen design adds regal style
- Mounting hardware is sold separately
- 4 per inner



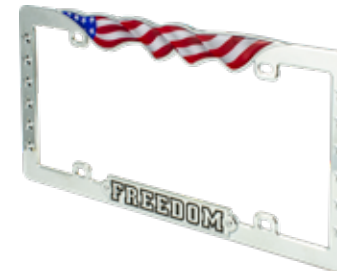
Glitter
92904 Purple
92937 Rose Gold

- Durable metal withstands wear & tear
- Colorful glitter accents adds glam style
- Mounting hardware is sold separately
- 6 per inner



USA Flag
90128 Multicolor

- Durable metal withstands wear & tear
- Stars and stripes add patriotic style
- Mounting hardware is sold separately
- 4 per inner



Freedom
90136 Multicolor

- Durable metal withstands wear & tear
- Stars and stripes add patriotic style
- Mounting hardware is sold separately
- 4 per inner



Patriotic Eagle
92861 Multicolor

- Durable metal withstands wear & tear
- Colorful eagle reflects American spirit
- Mounting hardware is sold separately
- 4 per inner



Chrome Stars and Stripes
92830 Multicolor

- Durable metal withstands wear & tear
- Stars and stripes add patriotic style
- Mounting hardware is sold separately
- 4 per inner



Carbon Fiber
90129 Red
90157 Chrome
90134 Black

- Durable metal withstands wear & tear
- Carbon fiber print adds sporty style
- Mounting hardware is sold separately
- 4 per inner



Paw Print
90160 Black/Chrome

- Durable metal withstands wear & tear
- Paw print design is fun and whimsical
- Mounting hardware is sold separately
- 4 per inner



Flaming Skull
90139 Silver/Black

- Durable metal withstands wear & tear
- Rotating skull emblem allows plate to be mounted two ways
- Mounting hardware is sold separately
- 4 per inner



Metal Butterfly
92707 Chrome

- Durable metal withstands wear & tear
- Butterfly design adds cute style
- Mounting hardware is sold separately
- 6 per inner



Metal Sport-Grill
92825 Black

- Durable metal withstands wear & tear
- Grill design adds modern style
- Mounting hardware is sold separately
- 4 per inner



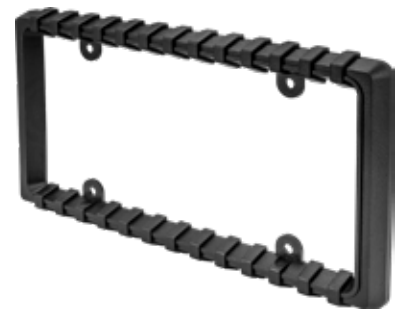
Black Flaming Skulls
92877 Black

- Durable metal withstands wear & tear
- Sculpted skulls design creates an edgy look
- Mounting hardware is sold separately
- 2 per inner



Skulls and Flames
92812 Chrome

- Durable metal withstands wear & tear
- 3-D skulls design creates an edgy look
- Mounting hardware is sold separately
- 6 per inner



Bumper Guard
92933 Black

- Absorbs shock from low-impact contact
- Durable rubber resists wear & tear
- Mounting hardware is sold separately
- 2 per inner



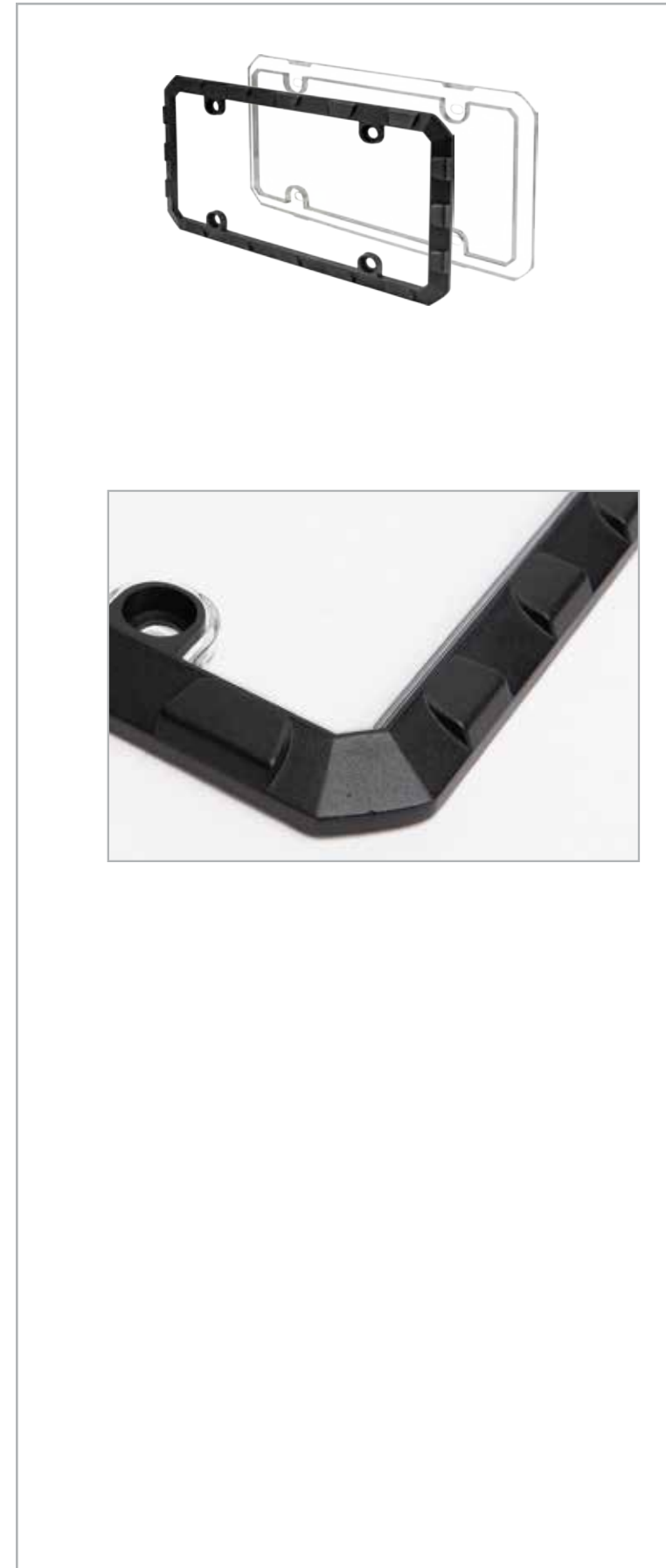
Multicolor LED
92905

- Programmable remote controlled lights
- Vibrant & flashy LED design
- Durable waterproof construction
- 12V hardwire required
- Mounting hardware is sold separately
- 1 per inner





The Truck Tuff™ Heavy-Duty License Plate Combo features a durable metal-alloy frame as well as an unbreakable UV-resistant polycarbonate cover. It provides excellent protection against rust, corrosion, and fading from the sun season after season. Mounting hardware is sold separately.



Heavy-Duty Combo 92901 Clear/Black

- Unbreakable shield withstands wear & tear
- Durable metal frame helps plates keep shape
- Sleek black finish enhances the look
- Mounting hardware is sold separately
- 2 per inner

License Plate Frames MOTORCYCLE SERIES



Dealer Motorcycle
92774 Black

- Durable metal withstands wear & tear
- Sleek matte finish enhances the look
- Mounting hardware is sold separately
- 3 per inner



Metal Frame
92776 Clear/Black

- Unbreakable shield withstands wear & tear
- Durable metal frame helps plates keep shape
- Mounting hardware is sold separately
- 4 per inner



License Plate FASTENERS



8-Piece Nylon Fasteners
93332

- Weatherproof nylon screws for year-round use
- Weatherproof nylon inserts keep screws in place
- 12 per inner



8-Piece Nylon Fasteners
93342

- Weatherproof nylon screws for year-round use
- Weatherproof nylon inserts keep screws in place
- 12 per inner



8-Piece Metal & Fasteners
93322

- Metal screws withstand wear
- Weatherproof nylon inserts keep screws in place
- 12 per inner



8-Piece Metal & Fasteners 93323

- Metal screws withstand wear
- Weatherproof nylon inserts keep screws in place
- 12 per inner



8-Piece OEM Fasteners 93371

- 1/4" x 3/4" steel screws
- Weatherproof nylon inserts keep screws in place
- 6 per inner



12-Piece Metal Fasteners 94445

- Metal screws, nuts & washers withstand wear
- 12 per inner



16-Piece OEM Fasteners 93372

- 1/4-20 x 5/8" steel screws
- Steel nuts & washers withstand wear
- 6 per inner



12-Piece Standard Stainless Steel Fasteners 93367

- Stainless steel screws, nuts, & washers resist rust/corrosion
- 12 per inner



9-Piece Anti-theft Stainless Steel Fasteners 93360

- Stainless steel screws resist rust/corrosion
- Weatherproof nylon inserts keep screws in place
- Allen wrench locks anti-theft screws
- 6 per inner



4-Piece Self-Threading Stainless Steel Fasteners 93366

- Stainless steel screws resist rust/corrosion
- Self-threading design creates a custom fit
- 6 per inner



9-Piece Anti-theft Fasteners 93660

- Steel screws resist wear
- Weatherproof nylon inserts keep screws in place
- Allen wrench locks anti-theft screws
- 6 per inner



12-Piece OEM Fasteners 93370

- 1/4" x 3/4" steel screws
- Steel washers withstand wear
- Weatherproof nylon inserts keep screws in place
- 6 per inner



5-Piece Stainless Steel Fasteners 93368

- Stainless steel screws & nuts resist rust/corrosion
- Allen wrench locks anti-theft screws
- 12 per inner



**41-Piece Deluxe Kit
93390**

- Standard & metric-size stainless steel screws resist rust/corrosion
- Lock washers & spacers keep plates from rattling
- Allen wrench locks anti-theft screws
- 4 per inner



**41-Piece Deluxe Kit
93990**

- Standard & metric-size steel screws resist wear
- Lock washers & spacers keep plates from rattling
- Allen wrench locks anti-theft screws
- 4 per inner



**Large Mounting Bracket
92651 Black**

- Durable plastic construction for year-round use
- Steel screws included for easy installation
- 6 per inner

